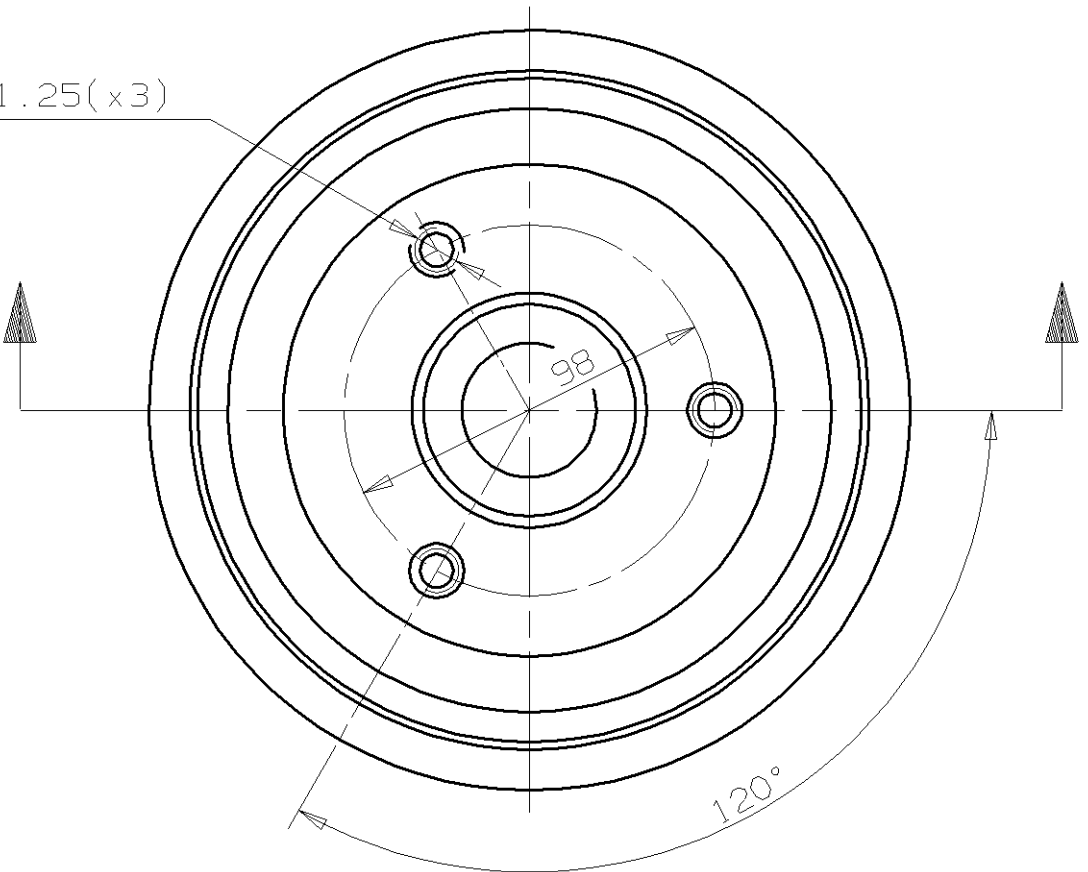


M12x1.25(x3)



Max. DIA. 166 mm

Weight 3.4 Kg